

ONKYO SERVICE MANUAL

AUTOMATIC RETURN TURNTABLE MODEL CP-1116A



UDN, UDC, UD	120V AC, 60Hz
UGV, UG	220V AC, 50Hz
UW	120 or 220V AC, 50/60Hz
UQA, UQB	240V AC, 50Hz

SAFETY-RELATED COMPONENT WARNING!!

COMPONENTS IDENTIFIED BY MARK \triangle ON THE SCHEMATIC DIAGRAM AND IN THE PARTS LIST ARE CRITICAL FOR RISK OF FIRE AND ELECTRIC SHOCK. REPLACE THESE COMPONENTS WITH ONKYO PARTS WHOSE PARTS NUMBERS APPEAR AS SHOWN IN THIS MANUAL.

MAKE LEAKAGE-CURRENT OR RESISTANCE MEASUREMENTS TO DETERMINE THAT EXPOSED PARTS ARE ACCEPTABLY INSULATED FROM THE SUPPLY CIRCUIT BEFORE RETURNING THE APPLIANCE TO THE CUSTOMER.

SPECIFICATIONS

Type:	2-speed automatic-return turntable with cueing lever
Turntable Platter:	31cm (12-1/4") Aluminum diecast
Motor:	DC servo
Speeds:	33-1/3rpm, 45rpm
Wow & Flutter:	0.045% WRMS
Signal-to-Noise Ratio:	66dB (IEC-Y, DIN-B)
Tonearm:	Static balanced straight-type pipe arm
Effective Arm Length:	210mm (8-5/16")
Overhang:	13mm (1/2")
Maximum Tracking Error:	+4.5 degrees, -1 degree
Usable Cartridge Weight:	Min. 5.0g, Max. 9.0g
Power Supply:	AC 120V, 60Hz
Dimensions (W x H x D):	418mm x 132mm x 374mm 16-1/2" x 5-1/6" x 14-6/8"
Weight:	3.8kg (8.4lbs.)

Optional Recommended Headshell: SH-21F

In the interest of further product improvements, specifications are subject to change without notice.

ONKYO
AUDIO COMPONENTS

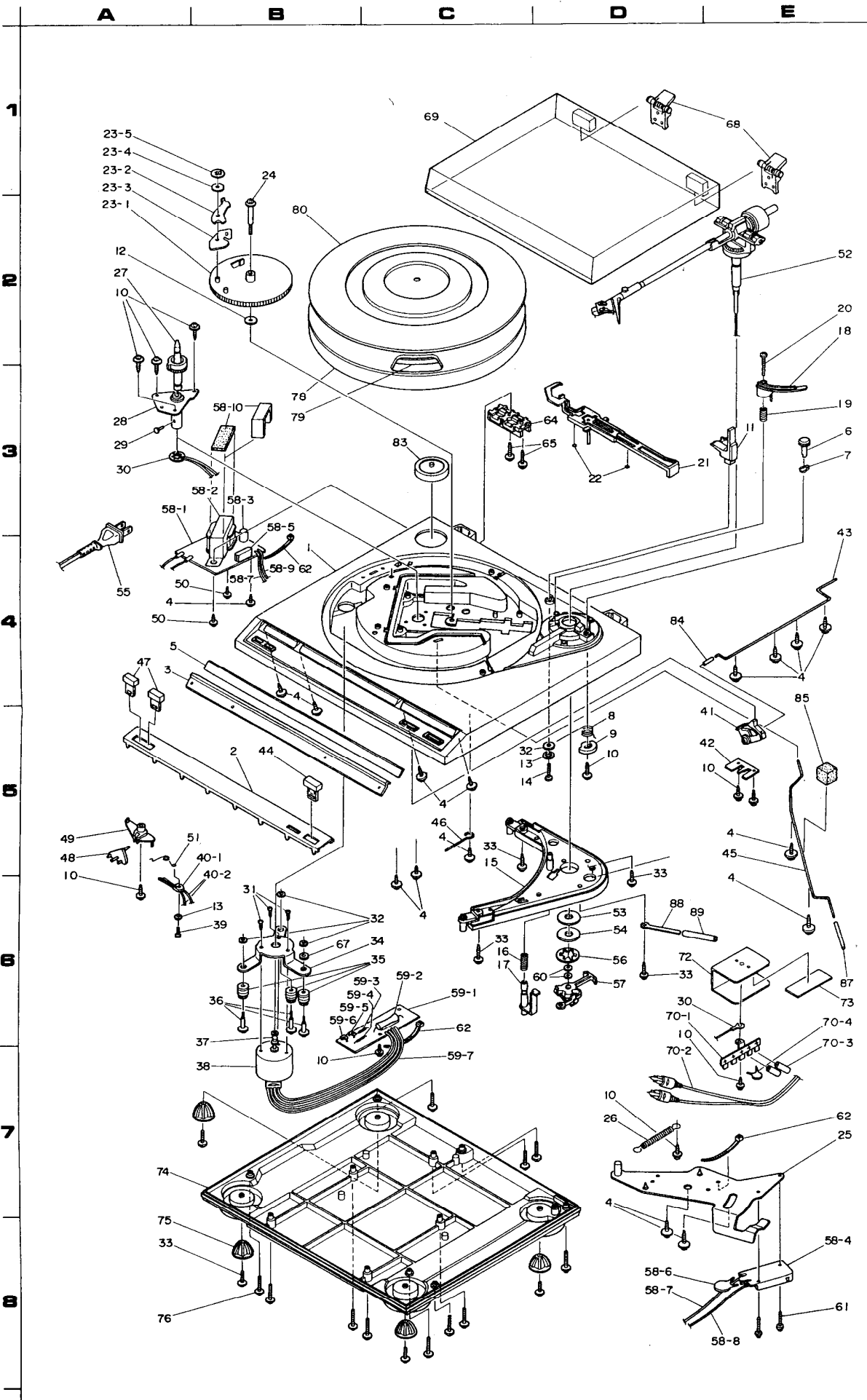
PARTS LIST

REF. NO.	PART NO.	DESCRIPTION	REF. NO.	PART NO.	DESCRIPTION	REF. NO.	PART NO.	DESCRIPTION
1	28110413	CABINET (B)	32	87613008	WASHER W3×8F	58-2	2300176	NPT-948D (D)
2	27262435	PLATE (OPE) (B)	33	831130108	TAP-TIGHT SCREW 3TTW+10B	58-4	2300206	NPT-948G (G)
3	24509375	COVER (PLATE OPE) (S)	34	27141045	BRACKET (MOTOR)	58-5	2300208	NPT-948BP (U)
4	24509292	COVER (PLATE OPE) (S)	35	24506331	CUSHION RUBBER	58-10	2300207	NPT-948Q (Q)
5	27262436	TAPPING SCREW W/WASHER	36	801358	SCREW		25065138	VOLTAGE SELECTOR SWITCH (U)
6	24501571	PLATE (BLACK)	38	24502206	PHONO MOTOR AS (38+37+59)			
7	24506243	KNOB AS (I.F.C.)			CONTROL PCB	58-4	24503023	MICRO SWITCH
8	24503131	WAVE WASHER	39	834430128	TAP-TIGHT SCREW 3TTS+12BB	58-5	22380011	SILVB, DIODE
9	24504271	SPRING (I.F.C.)	40	24504415	LEAF SWITCH		24506729	CUSHION 30X10X3t (D)
10	831430088	I.F.C. CAM	41	24603306	CUEING LEVER (B)		24506731	CUSHION 94X20X1.2t (G/U)
11	24509294	TAP-TIGHT SCREW 3TTW+8BBC	42	24504401	CUEING LEVER (S)	60	8761501010	WASHER W5X10F
12	87613008	ARM REST AS	43	24504402	HOLDER (LEVER)	61	82142614	PAN-HEAD SCREW 2.6P+14FN
13	871430	WASHER W3X8F	44	24504416	QUE ROD	62	260208	SK BINDER
14	834430258	SPRING WASHER SW-3 BC	45	28322097	BUTTON (REJ) (B)	64	24506517	CORD HOLDER
15	24509295	TAP-TIGHT SCREW 3TTS+25BC	46	24504404	BUTTON (REJ) (S)	65	831430168	TAP-TIGHT SCREW 3TTW+16B
16	24503145	BASE (SUB)	47	24503135	BUTTON (REJ) (S)	67	24506730	WASHER 5.2×12×1.2t
17	24506660	SPRING (EV)	48	28322098	SPRING (BUTTON)	68	28180080	HINGE (B)
18	24504321	SHAFT (EL)	49	24504405	BUTTON (SP) (B)	69	28180078	HINGE (S)
19	24503144	ELEVATION PLATE	50	24504316	SPEED SELECTOR ARM	70	24509320	DUST COVER
20	82143014	SPRING	51	24504417	CAM	71	24505180	LUG AS (SP) (D)
21	24506661	PAN-HEAD SCREW 3P+14FN	52	831130128	TAP-TIGHT SCREW 3TTW+12B	72	24505181	LUG AS (SP) (G/U)
22	270555	ACTUATING ARM	52A	24503113	SPRING (CLICK)	73	87313008	WASHER TOW-3
23	24506662	STEEL BALL	52B	24501528	SCREW	74	24506208A	SHIELD PLATE
23-1	24503032	MAIN GEAR AS 2	52C	24501321A	SCREW	75	261021	UL TAPE TUL-19
23-2	24506663	MAIN GEAR AS	52D	24501471	COUNTER WEIGHT	76	27170161	BOTTOM BOARD
23-3	24506664	CLUTCH	52E	24501354	HEAD SHELL (G/U)	77	27175043	LEG
23-4	87613008	CLUTCH GUIDE	52F	242975	OC-70M, CARTRIDGE (G/U)	78	834430168	TAP-TIGHT SCREW 3TTS+16BB
23-5	891030	WASHER W3×8F	52G	242976	DN-70ST, STYLUS (G/U)	79	24502158	PLATTER
24	24506537	STOP RING CS-3	52G	2450067	STYLUS PROTECTOR (G/U)	80	242129B	DRIVE BELT
25	24506220	SCREW	55	24501577	AC CORD (D)	83	24509378	PLATTER MAT (D)
26	24503146	ACTUATING PLATE AS	56	24500079	AC CORD (G/U)	84	292093	PLATTER MAT (G/U)
27	24502163	SPRING (OPE)	57	891100	STOP RING CS-10	85	75230	45 RPM ADAPTER
28	24502164	PLATTER SHAFT	58	24509301	ACTUATING ARM AS		24509373	UL, TUBE
29	24502165	PLATTER SHAFT BEARING		24502209	P.C.B AS (POWER) (D)			CUSHION
30	24505179	PIN		24502211	P.C.B AS (POWER) (G)			LUG
31	82142603	LEAD AS (GND)		24502212	P.C.B AS (POWER) (U)			
		PAN HEAD SCREW 2.6P+3FBC						

Note:
(D) : Only 120V model
(G) : Only 220V model
(U) : Only Universal model
(B) : Only black model
(S) : Only Silver model
(O) : Only 240V model

NOTE: THE COMPONENTS IDENTIFIED BY MARK  ARE CRITICAL FOR LISK OF FIRE AND ELECTRIC SHOCK. REPLACE ONLY WITH PARTS NUMBER SPECIFIED.

EXPLODED VIEW



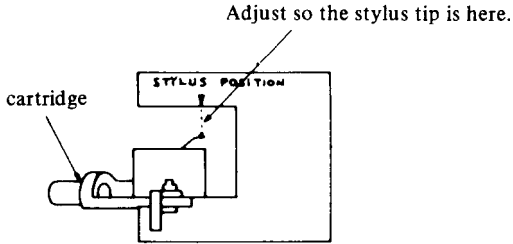
SERVICE PROCEDURES

Instruction resistance measurement

Connect the insulating-resistance tester between the plug of power supply cord and chassis.

Specifications: G/W models 500 V more than 10 MΩ

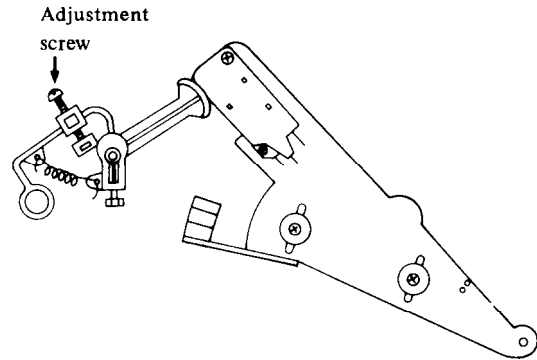
Use the included overhand gauge as shown below, placing the cartridge in the gauge and setting the location of the stylus tip as indicated.



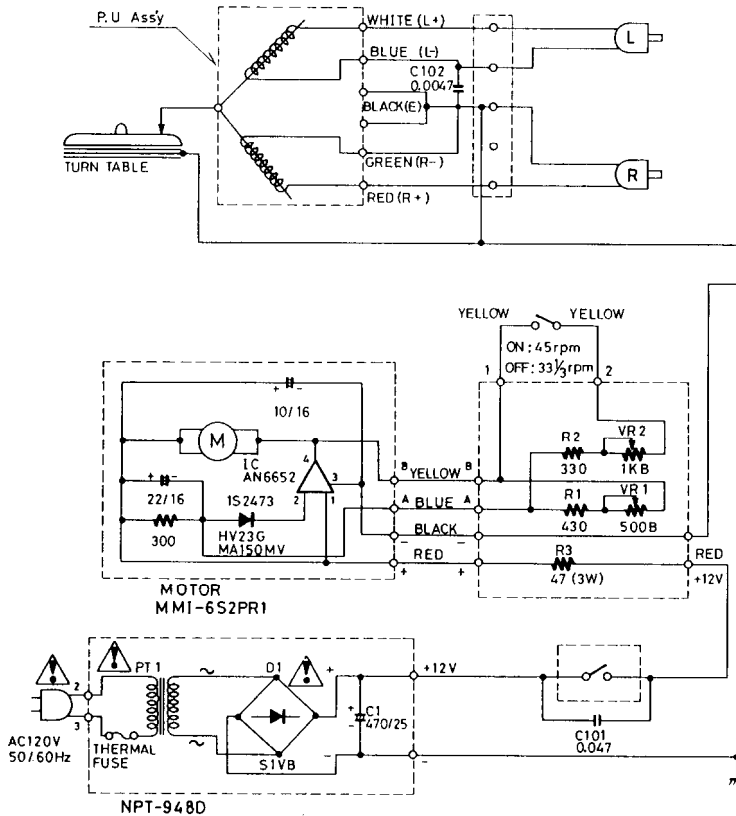
ADJUSTMENT PROCEDURES

Automatic shut-off position adjustment

Adjust the shut-off position with the fine adjustment screw. After the adjustment, apply lock-tite to the screw. To adjust the shut-off position for earlier, turn the screw counter-clockwise. To adjust the shut-off position for later, turn the screw clockwise.



CONNECTION DIAGRAM

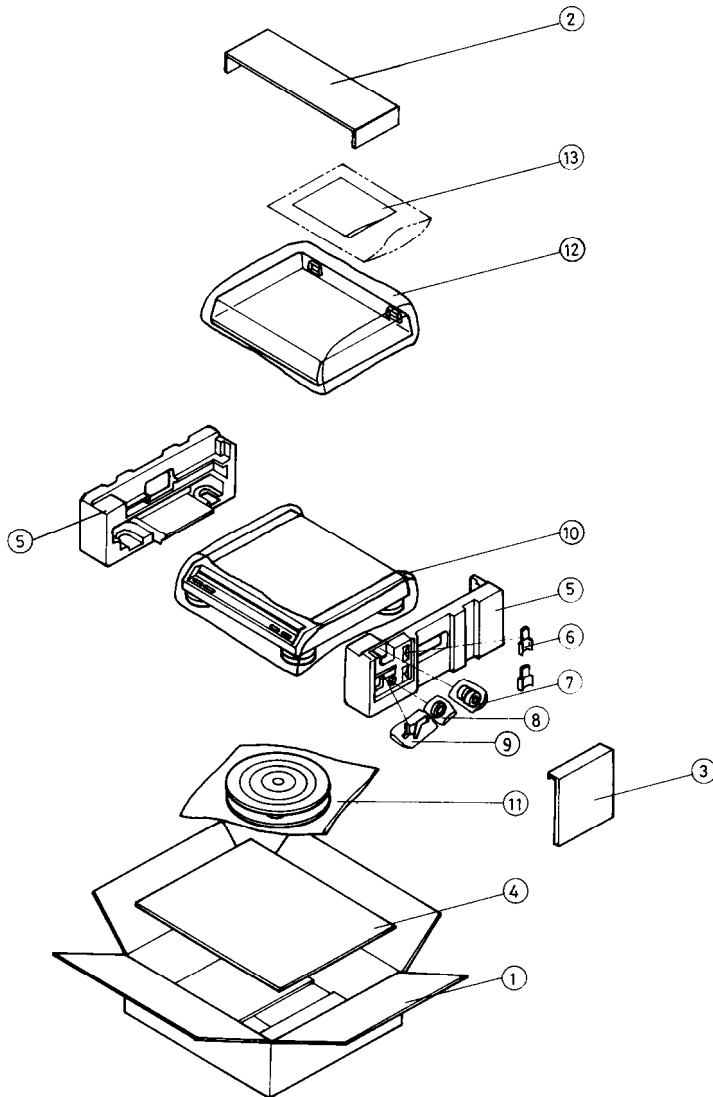


NOTES

POWER	PT 1
AC120V 50/60Hz	NPT-948D
AC220V 50Hz	NPT-948G
AC240V 50Hz	NPT-948Q
AC110/120/220/240V 50/60Hz	NPT-948BP

- ALL RESISTORS ARE IN OHMS 1/4 WATT UNLESS OTHERWISE NOTED.
- ALL CAPASITORS ARE IN μF 50VW UNLESS OTHERWISE NOTED.
- ELECTORLYTIC CAPASITORS (=##) ARE IN μF/WV.
- VOLTAGE (MEASURED WITH V.T.V.M.) (NO INPUT SIGNAL).
- CIRCUIT IS SUBJECT TO CHANGE FOR IMPROVEMENT.

PACKING VIEW



REF.NO	PART NO.	DESCRIPTION
1	29051474	Master carton box (Black model)
	29051477	Master carton box (Silver model)
2	24509374	Pad sheet(UP)
3	24509372	Pad sheet
4	24509370	Pad Sheet(Bottom)
5	29090822	Pad(L)+Pad(R)
6	28180080	Hinge (Black model)
	28180078	Hinge (Silver model)
7	24501471	Main weight
8	292049A	45 rpm adaptor
9	24501330	Cartridge attachment parts ass'y
	24501354	Headshell (Only 120V model)
	29100002	70×120mm, Poly-vinyl bag for 7, 8 and 9
10	29095152-1	500X800, Protection sheet
11	24509323	T.T Mat
	24502158	Turntable platter
	29100046	370×470, Poly bag
12	24509320	Dust cover
	29100050	Protection sheet
13		Accessory bag complete
120V model		
	29341123	Instruction manual
	24509197	Overhang gauge
	29365019	Warranty card (Only USA model)
	29358002E	Service station list (Only USA model)
	29100006A	250×350 Poly bag
220V model		
	29341124	Instruction manual
	29341162	Instruction manual (I) (Only G model)
	29365020	Warranty card (Only West Germany model)
	29100094	Poly bag
	29100006A	250×350 Poly bag
Universal model		
	29341124	Instruction manual
	29341162	Instruction manual (I)
	25055040	CVK-2, Conversion plug
	29100006A	250×350 Poly bag

ONKYO CORPORATION

International Division: No. 24 Mori Bldg., 23-5, Nishi-Shimbashi 3-chome, Minato-ku,
TOKYO 105, JAPAN Tel: 03-432-6987 Fax: 03-436-6979 TLX: 242-3551 ONKYO J

ONKYO U.S.A. CORPORATION

200 Williams Drive, Ramsey, N.J. 07446, U.S.A. Tel: 201-825-7950 Fax: 201-825-8150

ONKYO DEUTSCHLAND GMBH ELECTRONICS

Industriestrasse 20, 8034 Germering, WEST GERMANY
Tel: 089 84 93 20 Fax: 089 84 93 226 TLX: 05-21726 ONKY D